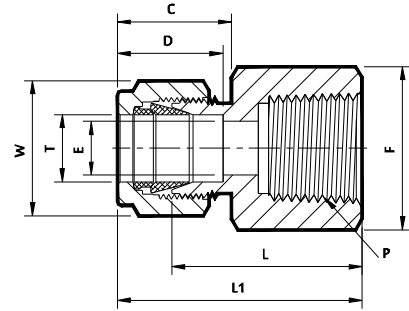
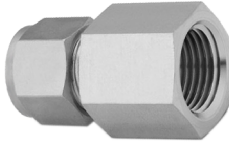


2.4 Female Connector

01. Fractional Tube x NPT (F)

Material - **SS 304 | SS 316**



Sr. No.	TUBE OD Ø T	NPT Female Pipe Size P	Ref. Part No.		ØE	D	C	L	L1	Body Hex F	Nut Hex W
			SS 304	SS 316							
			FCD4	FCD6	Dimensions in Inches						
1	1/8 x 1/8	2FCD2Nx4	2FCD2Nx6	0.09	0.50	0.60	0.87	1.13	9/16	7/16	
2	1/8 x 1/4	2FCD4Nx4	2FCD4Nx6	0.09			1.06	1.32	3/4		
3	1/4 x 1/8	4FCD2Nx4	4FCD2Nx6	0.19	0.60	0.70	0.94	1.23	9/16	9/16	
4	1/4 x 1/4	4FCD4Nx4	4FCD4Nx6	0.19			1.12	1.41	3/4		
5	1/4 x 3/8	4FCD6Nx4	4FCD6Nx6	0.19			1.19	1.48	7/8		
6	1/4 x 1/2	4FCD8Nx4	4FCD8Nx6	0.19			1.38	1.67	1.1/16		
7	5/16 x 1/8	5FCD2Nx4	5FCD2Nx6	0.25	0.64	0.73	0.97	1.26	9/16	5/8	
8	5/16 x 1/4	5FCD4Nx4	5FCD4Nx6	0.25			1.16	1.45	3/4		
9	5/16 x 3/8	5FCD6Nx4	5FCD6Nx6	0.25			1.22	1.51	7/8		
10	3/8 x 1/8	6FCD2Nx4	6FCD2Nx6	0.28	0.66	0.76	1.00	1.29	5/8	11/16	
11	3/8 x 1/4	6FCD4Nx4	6FCD4Nx6	0.28			1.19	1.48	3/4		
12	3/8 x 3/8	6FCD6Nx4	6FCD6Nx6	0.28			1.25	1.54	7/8		
13	3/8 x 1/2	6FCD8Nx4	6FCD8Nx6	0.28			1.44	1.73	1.1/16		
14	1/2 x 1/4	8FCD4Nx4	8FCD4Nx6	0.41	0.90	0.86	1.19	1.59	13/16	7/8	
15	1/2 x 3/8	8FCD6Nx4	8FCD6Nx6	0.41			1.25	1.65	7/8		
16	1/2 x 1/2	8FCD8Nx4	8FCD8Nx6	0.41			1.44	1.84	1.1/16		
17	1/2 x 3/4	8FCD12Nx4	8FCD12Nx6	0.41			1.50	1.90	1.5/16		
18	5/8 x 1/2	10FCD8Nx4	10FCD8Nx6	0.50	0.96	0.86	1.44	1.84	1.1/16	1	
19	5/8 x 3/4	10FCD12Nx4	10FCD12Nx6	0.50			1.50	1.90	1.5/16		
20	3/4 x 1/2	12FCD8Nx4	12FCD8Nx6	0.62	0.96	0.86	1.44	1.84	1.1/16	1.1/8	
21	3/4 x 3/4	12FCD12Nx4	12FCD12Nx6	0.62			1.50	1.90	1.5/16		
22	1 x 3/4	16FCD12Nx4	16FCD12Nx6	0.88	1.23	1.04	1.62	2.10	1.3/8	1.1/2	
23	1 x 1	16FCD16Nx4	16FCD16Nx6	0.88			1.97	2.45	1.5/8		

- NOTE :
- ① The E Dimension is the minimum opening & Fittings of this group may be back drilling to lager ID at pipe thread or straight thread end
 - ② Dimension L1, C, D is shown in the finger-tight position.
 - ③ NPT thread as per ANSI B 1.20.1.